

**High flow regulator with exceptional high relief flow**

**Adjusting knob can be set in the field to stop at some maximum pressure setting or some minimum pressure setting**

**Easy to adjust even at high output pressures**

**Balanced valve minimizes effect of variations in inlet pressure on outlet pressure**

**Constant bleed feature provides maximum sensitivity to system changes**

**Relieving feature allows reduction of downstream pressure when the system is dead-ended**

**Full flow gauge ports**


**Technical data**
**Fluid:**

Compressed air, neutral gases  
 NOTE: Contact technical support for use with other media.

**Maximum inlet pressure:**

300 psig (20 bar)

Operating temperature:

0° to 150°F (-20° to 80°C)\*

\* Air supply must be dry enough to avoid ice formation at temperatures below 35°F (2°C).

**Typical flow** with 150 psig (100 bar) inlet pressure, 90 psig (6.3 bar) set pressure and 15 psig (1 bar) droop from set:

1/2" ports: 200 scfm (94 dm<sup>3</sup>/s)  
 1-1/4" ports: 700 scfm (330 dm<sup>3</sup>/s)

**Maximum bleed rate** at 50 psig

(3.5 bar) outlet pressure:

0.031 scfm (0.016 dm<sup>3</sup>/s) †

† Maximum bleed rate occurs under dead-end (no flow) conditions.

**Port sizes:**

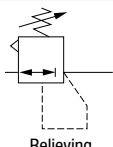
Main	Gauge
1/4"	1/4"
3/8"	3/8"
1/2", 3/4", 1", 1-1/4"	1/2"
Thread type: PTF, ISO G	

**Materials**

Body, top cap: zinc  
 Main valve, adjusting screw: brass  
 Pilot valve, relief valve: acetal  
 Elastomers: nitrile  
 Bottom Plug: acetal

**Ordering information**

Models listed are constant bleed units with relieving diaphragm, 10 to 125 psig (0.7 to 8 bar) outlet pressure adjustment range, and PTF threads.

ISO Symbol	Port Size	Model	Weight lb (kg)
 Relieving	1/4"	R24-200-RNLA	1.90 (0.86)
	3/8"	R24-300-RNLA	1.83 (0.83)
	1/2"	R24-400-RNLA	1.79 (0.81)
	3/4"	R24-600-RNLA	2.73 (1.24)
	1"	R24-800-RNLA	2.73 (1.24)
	1-1/4"	R24-A00-RNLA	2.65 (1.20)

**Alternative Models**

Port Size	Substitute
1/4"	2
3/8"	3
1/2"	4
3/4"	6
1"	8
1-1/4"	A

**R24-★00-R★★★**

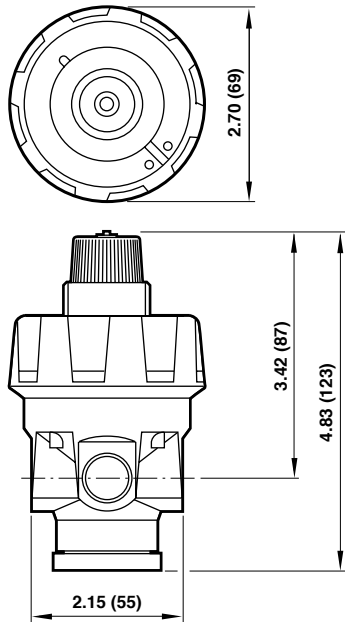
\* Outlet pressure can be adjusted to pressures in excess of, and less than, those specified.

Do not use these units to control pressures outside of the specified ranges.

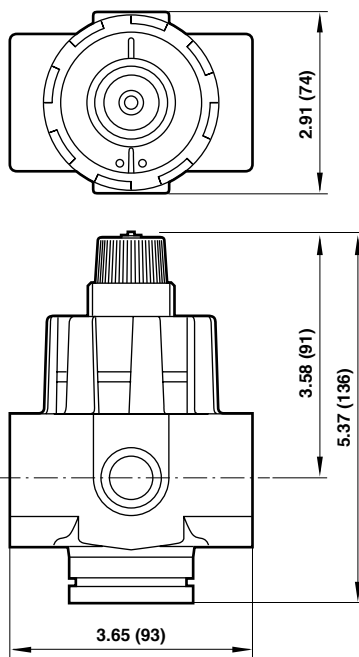
\*\* A factory included gauge is only available with PTF threads (A in last position of model number).

Threads	Substitute
PTF	A
ISO G parallel	G
Outlet Pres Adj. Ranges*	Substitute
5 to 30 psig (0.3 to 2 bar)	C
5 to 60 psig (0.3 to 4 bar)	F
10 to 125 psig (0.7 to 8 bar)	L
10 to 250 psig (0.7 to 17 bar)	S
Gauge	Substitute
With	G**
Without	N

1/4, 3/8, 1/2



3/4, 1, 1-1/4



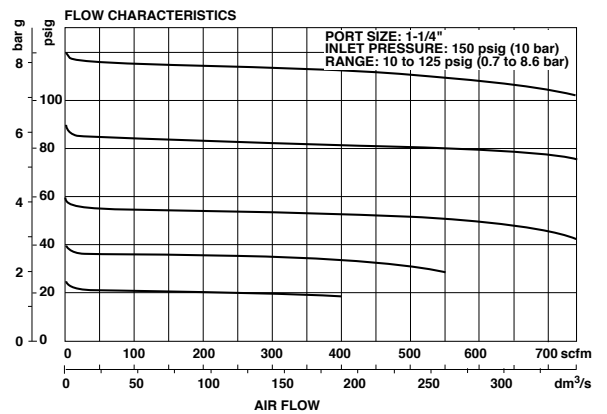
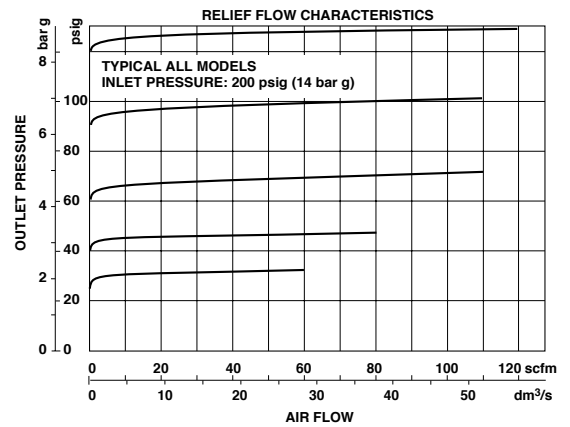
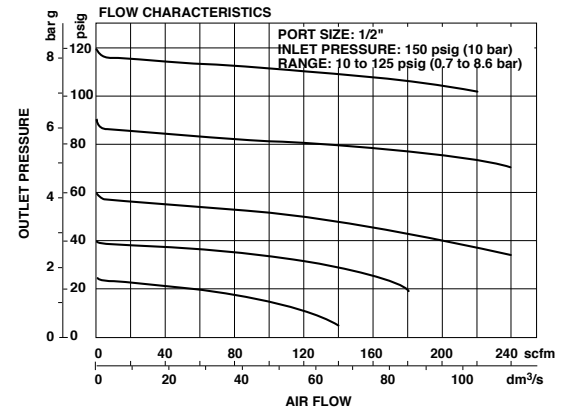
Panel mounting hole diameter: 1.26" (32 mm)  
Maximum panel thickness: 0 to 0.12" (3 mm)

Service Kits

Item	Type	Part number
Service kit	1/4, 3/8, 1/2	5292-52
Service kit	3/4, 1, 1-1/4	5292-53

Service kits include seals, main valve and spring.

Typical Performance Characteristics  
RANGE: 10 to 232 psi (0.7 to 16 bar)



Dimensions in inches (mm)